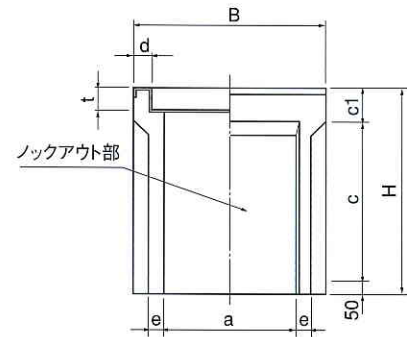
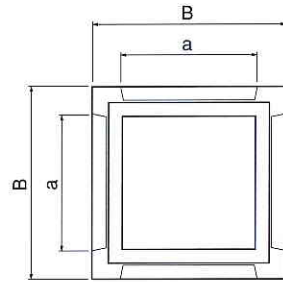
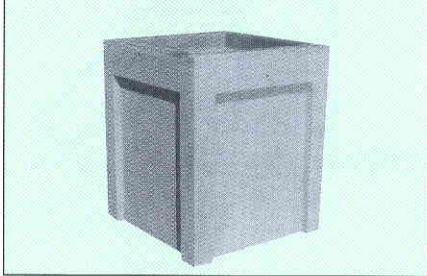


CH-Ⅱ 可変側溝

集水柵 内幅300~600

| | | |
|--------|-------|---|
| 模 様 | 縞鋼板模様 | × |
| | 格子模様 | × |
| | 無地 | × |



| 呼び名 (a×a×c) | 各部の寸法 (mm) | | | | | | 参考質量 (kg) |
|----------------|------------|------|-----|----|----|----|--------------|
| | B | H | c1 | d | e | t | |
| 300×300 | 300 | 445 | 95 | 55 | 50 | 60 | 110 |
| | 400 | 545 | | | | | 135 |
| | 500 | 645 | | | | | 160 |
| | 600 | 745 | | | | | 180 |
| | 700 | 845 | | | | | 205 |
| | 800 | 945 | | | | | 230 |
| | 900 | 1045 | | | | | 250 |
| | 1000 | 1145 | | | | | 275 |
| | 1100 | 1245 | | | | | 300 |
| | 400×400 | 400 | | | | | 560 |
| 500 | | 660 | 205 | | | | |
| 600 | | 760 | 235 | | | | |
| 700 | | 860 | 265 | | | | |
| 800 | | 960 | 295 | | | | |
| 900 | | 1060 | 325 | | | | |
| 1000 | | 1160 | 355 | | | | |
| 1100 | | 1260 | 380 | | | | |
| 1200 | | 1360 | 410 | | | | |

| 呼び名 (a×a×c) | 各部の寸法 (mm) | | | | | | 参考質量 (kg) |
|----------------|------------|------|-----|----|----|----|--------------|
| | B | H | c1 | d | e | t | |
| 500×500 | 400 | 575 | 125 | 61 | 55 | 85 | 230 |
| | 500 | 675 | | | | | 265 |
| | 600 | 775 | | | | | 305 |
| | 700 | 875 | | | | | 340 |
| | 800 | 975 | | | | | 375 |
| | 900 | 1075 | | | | | 415 |
| | 1000 | 1175 | | | | | 450 |
| | 1100 | 1275 | | | | | 490 |
| | 1200 | 1375 | | | | | 525 |
| | 1300 | 1475 | | | | | 560 |
| 600×600 | 400 | 590 | 830 | 60 | 55 | 85 | 280 |
| | 500 | 690 | | | | | 325 |
| | 600 | 790 | | | | | 370 |
| | 700 | 890 | | | | | 410 |
| | 800 | 990 | | | | | 455 |
| | 900 | 1090 | | | | | 500 |
| | 1000 | 1190 | | | | | 540 |
| | 1100 | 1290 | | | | | 585 |
| | 1200 | 1390 | | | | | 625 |
| | 1300 | 1490 | | | | | 670 |
| 1400 | 1590 | 715 | | | | | |
| 1500 | 1690 | 760 | | | | | |

